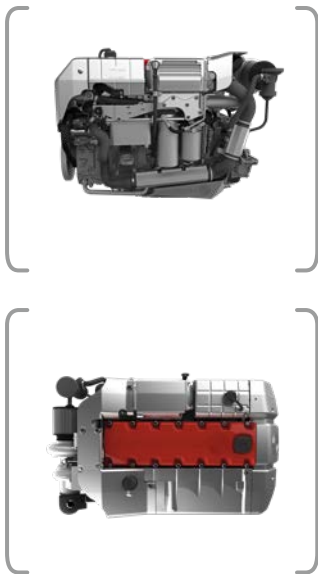
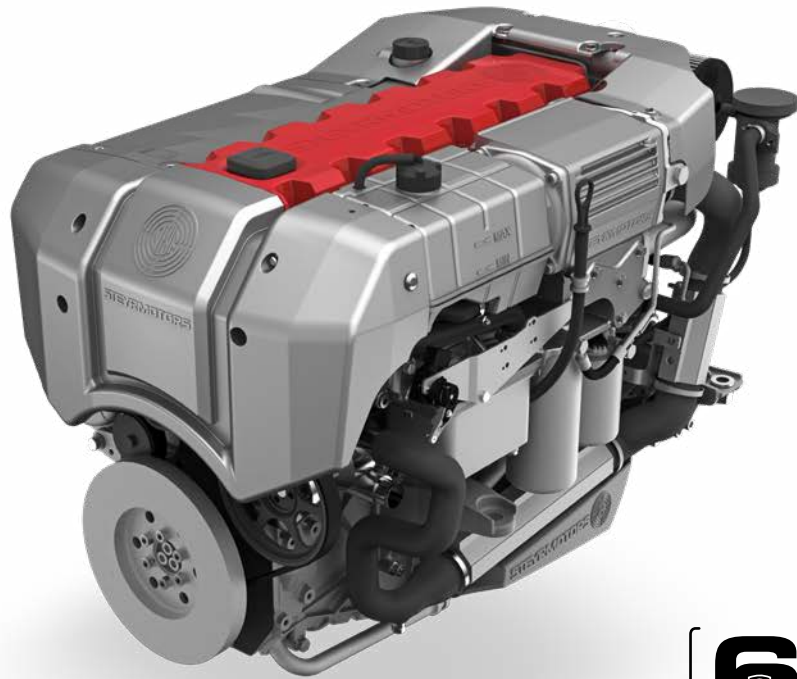


# SE 6-CYLINDER MARINE ENGINES

## FACTS

- Full Power Speed Range:
- 3300-3850 rpm
- Displacement: 3200 cm<sup>3</sup>
- Dry weight: 340 kg



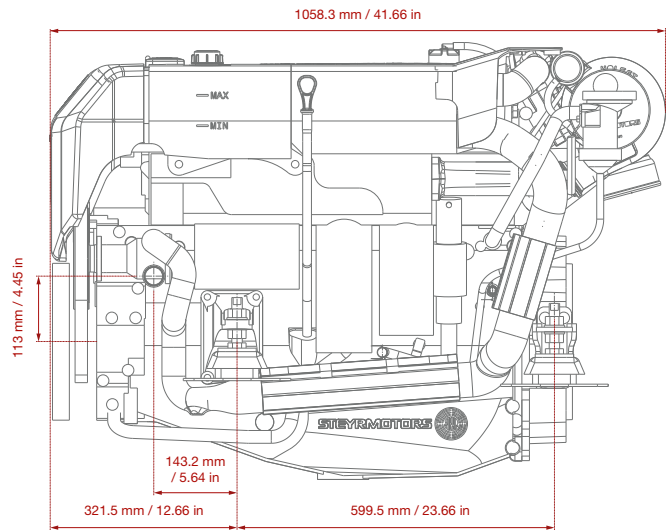
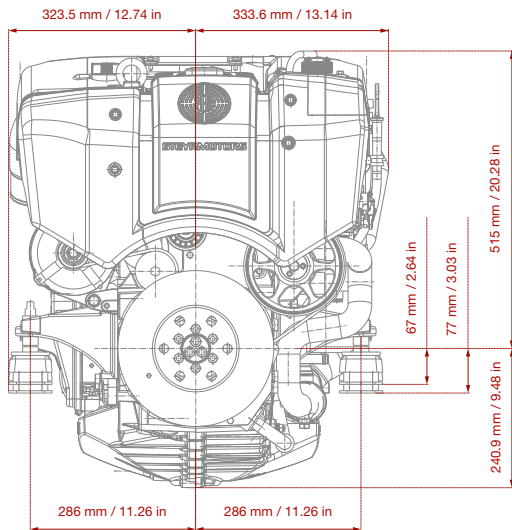
The SE 6-cylinder engine series of STEYR MOTORS has a vast application potential as well as a huge variety of options to individualize the engines. With a remarkable power to weight ratio and a most compact design, the engines of this series are all-rounders on the global commercial and leisure market. Due to its excellent torque and speed range, the still growing SE 6-cylinder series masters all challenges with ease.

### SE186E38 MAIN FEATURES

- Perfectly suited for commercial and leisure applications
- Dual circuit cooling system with corrosion resistant materials
- Excellent performance and highest durability
- Compact and lightweight design
- SOLAS approved, EPA Tier III and EU Stage V certified, many other certificates
- Different propulsion systems can be installed
- Sterndrive packages with Bravo One, Two and Three available Various accessory and installation options & kits available

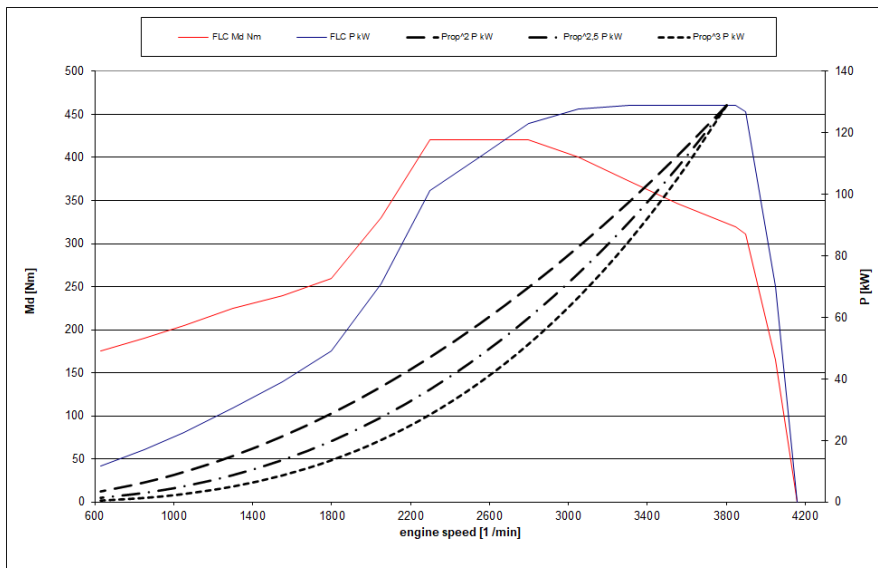


See more applications on our website or contact us for further references.



## SE 186E38

<b>RATED POWER (kw)</b>	129	<b>TURBO SYSTEM</b>	geometrical	<b>FUEL CONSUMPTION at rated power (kg/h)</b>	31,5
<b>RATED SPEED (rpm)</b>	3800	<b>NUMBER OF CYLINDERS</b>	6	<b>EXHAUST MASS FLOW at rated power (kg/h)</b>	941,5
<b>MAX. TORQUE (nm)</b>	420	<b>BORE (mm)</b>	85	<b>MAX. INLET DEPRESSION at rated power (mbar)</b>	30/50
<b>DRY WEIGHT (kg)</b>	340	<b>STROKE (mm)</b>	94	<b>SPEC. FUEL CONSUMPTION at rated power (g/kWh)</b>	245
<b>RATING*</b>	PL, HO, INT, MCD	<b>DISPLACEMENT (cm<sup>3</sup>)</b>	3200	<b>MIN. SPEC. FUEL CONSUMPTION (g/kWh)</b>	215
<b>CERTIFICATES</b>	EPA Tier III EU Stage V	<b>FULL POWER SPEED RANGE (rpm)</b>	3300-3850	<b>FUEL CONSUMPTION at idle speed (kg/h)</b>	0,52
<b>ASPIRATION</b>	TCA	<b>SPEED AT MAXIMUM TORQUE (rpm)</b>	2300-2800	<b>MAX. EXHAUST BACKPRESSURE (mbar)</b>	150
<b>SPECIFIC POWER (kg/PS)</b>	1,94	<b>COMPRESSION RATIO</b>	$\epsilon = 17,0$	<b>BACKPRESSURE TOLERANCE (mbar)</b>	+0/- 50
<b>IDLE SPEED (rpm)</b>	630	<b>AIR MASS FLOW at rated power (kg/h)</b>	910		



\* Ratings:

PL – Pleasure (max. 300 hours/year)  
 HO – High Output (max. 300 hours/year)  
 INT – Intermittent Duty (max. 1500 hours/year)  
 MCD – Medium Continuous Duty (max. 3000 hours/year)  
 ind detailed speci ication to Ratings in STEYR MOTORS  
 Limited Engine Warranty Conditions